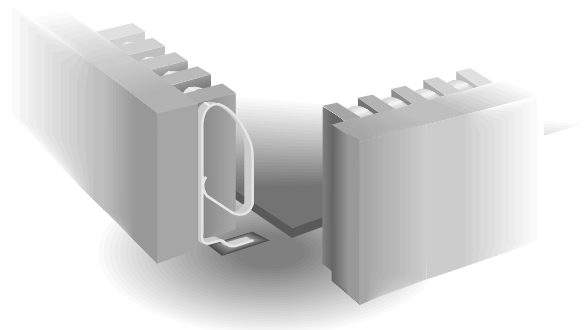


PCS SMU Series *Ultra Low Profile Surface Mount PLCC Sockets*




PCS-068SMU-11



C

FEATURES:

The Thomas & Betts SMU Series Surface Mount Chip carrier sockets are an "Ultra" low profile, .175" (4.45) for JEDEC dimensioned PLCC devices. The lower profile is to accommodate height packaging restrictions in high density disk drive and laptop applications. With a PCB footprint which matches PLCC device and an open insulator design to facilitate placement and inspection, the Thomas & Betts SMU Series meets your high density packaging needs.

- Accepts JEDEC PLCC's MO-047 AA-AH (20-84), and MO-052 AE (32 RECT)
- High temperature insulator material compatible with vapor phase and infrared reflow processing
- Visual markings internal and external to socket assure easy registration as well as the option of locating posts
- Open insulator design aids in placement, inspection and cleaning of solder joints
-  UL recognition under Component Program of Underwriters Laboratories, Inc. file no. E111362 pending
- PLCC Extraction Tool TX8136-20/84PCS

MATERIAL SPECIFICATIONS:

Insulator PPS, UL rated 94V-0
 Contact Phosphor bronze
 Plating Tin/lead

PERFORMANCE SPECIFICATIONS:

MECHANICAL

Vibration Passed MIL-STD-1344, Method 2005.1, Condition II, 10 G's
 Shock Passed MIL-STD-1344, Method 2004.1, Condition A, 50 G's
 Durability 25 Cycles minimum
 Normal Force 150 Grams (5.29 oz.) per line minimum
 Mating Force 200 Grams (7.05 oz.) per line maximum
 Unmating Force 33 Grams (1.17 oz.) per line minimum
 Solderability Passed MIL-STD-202, Method 208
 Contact Retention
 in Plastic 454 Grams (16 oz.) per line minimum

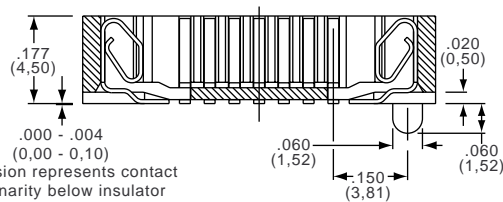
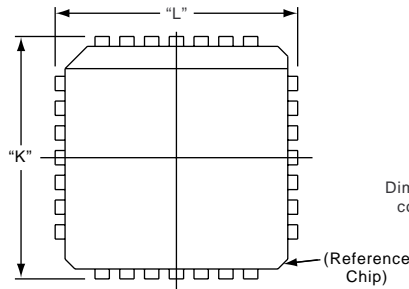
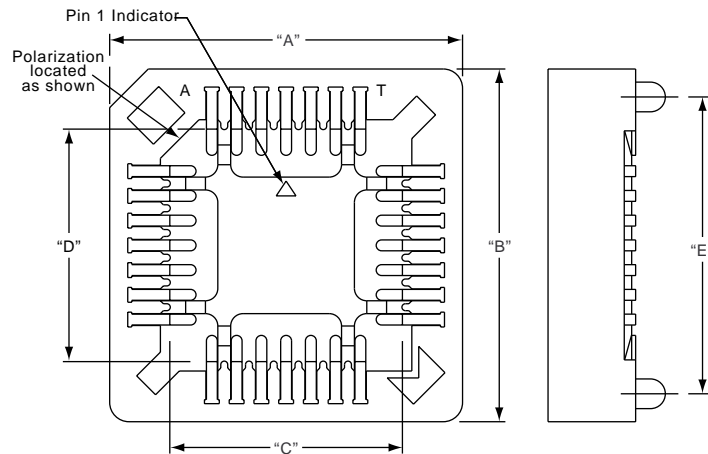
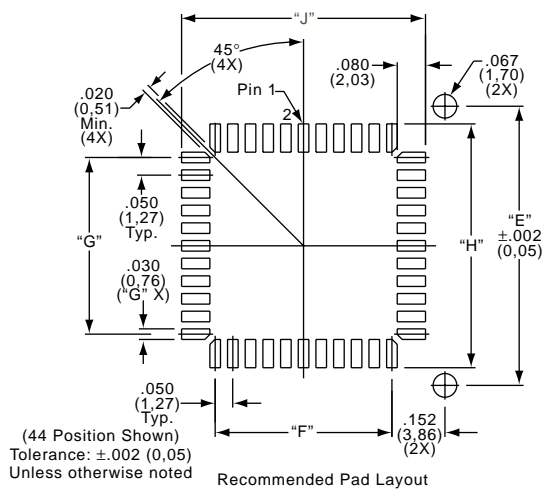
ELECTRICAL

Low Level
 Contact Resistance 20 Milliohms max. per MIL-STD-1344, Method 3002
 Contact Rating 1 Amp
 Capacitance 2 pF max. @ 1 kHz, MIL-STD-202, Method 305
 Insulation Resistance 10,000 Megohms minimum @ 100 VDC per MIL-STD-1344, Method 3003.1
 Dielectric Withstanding
 Voltage 600 VAC per MIL-STD-1344, Method 3001.1

ENVIRONMENTAL

Humidity Passed MIL-STD-1344, Method 1002.2, Type II
 Operation Temperature .. -55°C to +105°C
 Resistance to
 Solder Heat Infrared reflow 230°C, duration 15 seconds

Ultra Low Profile Surface Mount PLCC Sockets **PCS-SMU Series**



STANDARD CONFIGURATIONS

No. of Contacts	A*	B*	C	D	E	F	G	H	J	K	L
20	.613 (15,57)	.613 (15,57)	.364 (9,24)	.364 (9,24)	.500 (12,70)	.200 (5,08)	.200 (5,08)	.404 (10,26)	.404 (10,26)	.390 (9,90)	.390 (9,90)
28	.713 (18,11)	.713 (18,11)	.466 (11,83)	.466 (11,83)	.600 (15,24)	.300 (7,62)	.300 (7,62)	.504 (12,80)	.504 (12,80)	.490 (12,44)	.490 (12,44)
32	.713 (18,11)	.813 (20,65)	.466 (11,83)	.566 (14,37)	.700 (17,78)	.300 (7,62)	.400 (10,16)	.604 (15,34)	.504 (12,80)	.590 (14,98)	.490 (12,44)
44	.913 (23,19)	.913 (23,19)	.662 (16,81)	.662 (16,81)	.800 (20,32)	.500 (12,70)	.500 (12,70)	.704 (17,88)	.704 (17,88)	.690 (17,52)	.690 (17,52)
52	1.013 (25,73)	1.013 (25,73)	.766 (19,45)	.766 (19,45)	.900 (22,86)	.600 (15,24)	.600 (15,24)	.804 (20,42)	.804 (20,42)	.790 (20,06)	.790 (20,06)
68	1.213 (30,81)	1.213 (30,81)	.967 (24,56)	.967 (24,56)	1.100 (27,94)	.800 (20,32)	.800 (20,32)	1.004 (25,50)	1.004 (25,50)	.990 (25,14)	.990 (25,14)
84	1.413 (35,89)	1.413 (35,89)	1.164 (29,56)	1.164 (29,56)	1.300 (33,02)	1.000 (25,40)	1.000 (25,40)	1.204 (30,58)	1.204 (30,58)	1.190 (30,22)	1.190 (30,22)

* Dimension A & B ± .010 (0,25)

PART NUMBERS

Part Number	Number of Contacts	Locating Posts	T-Tape & Reel Packaging	Part Number	Number of Contacts	Locating Posts	T-Tape & Reel Packaging
PCS-020SMU-11T	20	Without	With	PCS-052SMU-11T	52	Without	With
PCS-020SMU-11	20	Without	Without	PCS-052SMU-11	52	Without	Without
PCS-020SMU-12T	20	With	With	PCS-052SMU-12T	52	With	With
PCS-020SMU-12	20	With	Without	PCS-052SMU-12	52	With	Without
PCS-028SMU-11T	28	Without	With	PCS-068SMU-11T	68	Without	With
PCS-028SMU-11	28	Without	Without	PCS-068SMU-11	68	Without	Without
PCS-028SMU-12T	28	With	With	PCS-068SMU-12T	68	With	With
PCS-028SMU-12	28	With	Without	PCS-068SMU-12	68	With	Without
PCS-032SMU-11T	32	Without	With	PCS-084SMU-11T	84	Without	With
PCS-032SMU-11	32	Without	Without	PCS-084SMU-11	84	Without	Without
PCS-032SMU-12T	32	With	With	PCS-084SMU-12T	84	With	With
PCS-032SMU-12	32	With	Without	PCS-084SMU-12	84	With	Without
PCS-044SMU-11T	44	Without	With				
PCS-044SMU-11	44	Without	Without				
PCS-044SMU-12T	44	With	With				
PCS-044SMU-12	44	With	Without				

Need more technical information?

Consult your Thomas & Betts sales office listed on the back cover